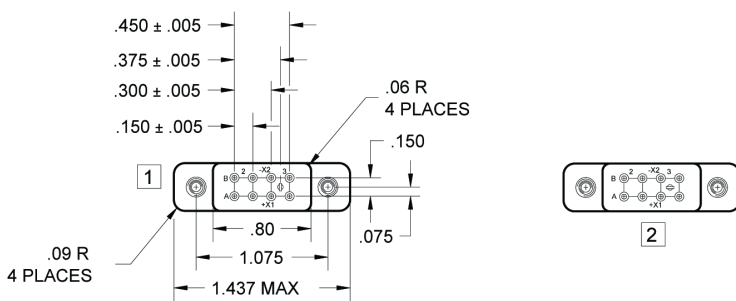




Basic socket series designation for:
XA

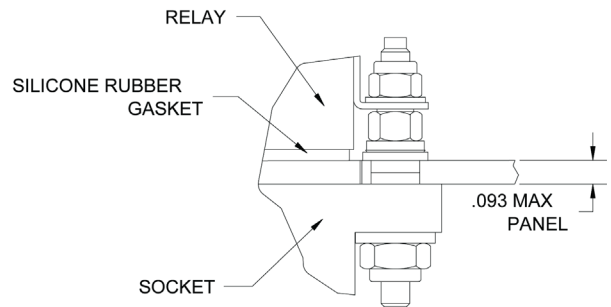
Designed to the standards and requirements of:
MIL-DTL-12883/45

SOCKET DRAWING

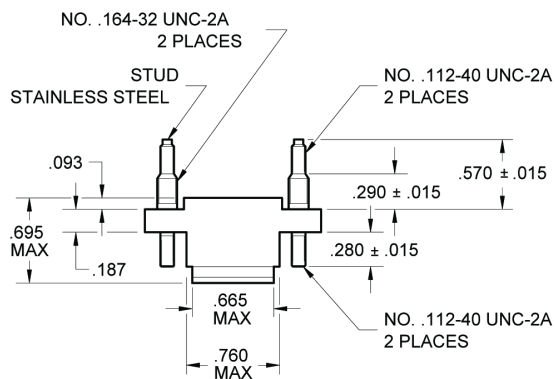


HARDWARE MOUNTING

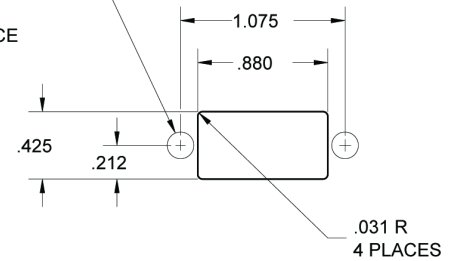
MOUNTING DETAIL 2 PLACES



MOUNTING DIMENSIONS



BOTTOM MOUNT-CLEARANCE
HOLE FOR .164 SCREW
TOP MOUNT-CLEARANCE
HOLE FOR .112 SCREW



GENERAL CHARACTERISTICS

1. Supplied with mounting hardware NO. 20 contacts and crimp for coil code J (SO-1064-10444).	
2. Supplied with mounting hardware NO. 20 contacts and crimp for coil codes F,K (SO-1064-10445).	
3. Standard tolerances	.xx ± .01; xxx ± .005
4. Weight	.033 lbs. max
5. Temperature range	-70° C to +125° C