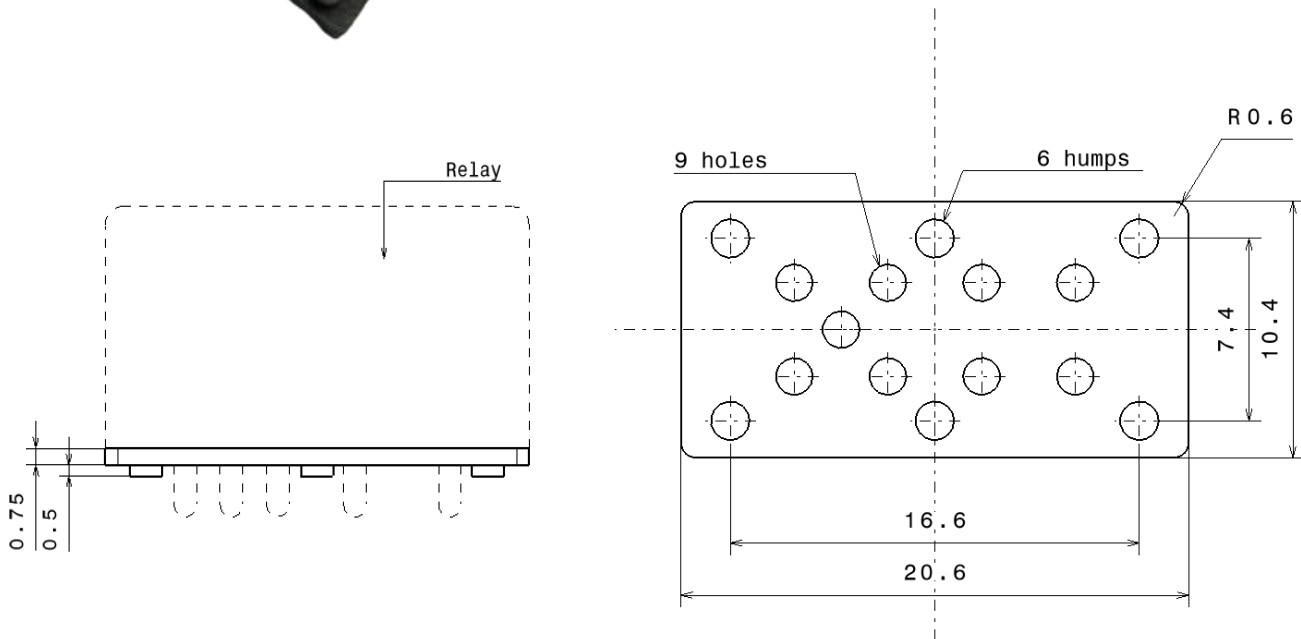




DESIGNED FOR RELAY SERIES:

M210, M212



- Dimensions are in mm
- Isolation pad is fitted with humps to be positioned on the PCB side. These humps allow the cleaning of the solder Flux.
- Humps diameter : 1.57mm – Humps Height : 0.5mm
- Typical Pitch of Holes for the relay pins : 3.8mm

**GENERAL CHARACTERISTICS**  
 CARACTERISTIQUES GENERALES

|                                                                          |                |
|--------------------------------------------------------------------------|----------------|
| <b>Material</b><br><i>Matière</i>                                        | Pocan PBT-GF30 |
| <b>Weight</b><br><i>Poids</i>                                            | 0.3g max       |
| <b>Maximum temperature</b><br><i>Température maximum</i>                 | 244°C          |
| <b>Flammability rating UL 94</b><br><i>Indice d'inflammabilité UL 94</i> | V-0            |

LEACH INTERNATIONAL EUROPE S.A.S.

Tel: +33 3 87 97 98 97

Fax: +33 3 87 97 96 86

LEACH INTERNATIONAL ASIA PACIFIC

Tel: +852 2 191 3830

Fax: +852 2 389 5803

The technical information provided by Leach International Europe is to be used as a guide only, and is not meant for publication or as documentation for altering any existing specification. Dimensions are in millimeters unless otherwise specified. Rev. 03/2025