



TF090E



TF090S



TF090D

Applicable contactors :

CA090D Series
CA090S Series

GENERAL CHARACTERISTICS CARACTERISTIQUES GENERALES

| | |
|-----------------------------------------------------------------------------------------------------------------|-----------------------------------------------------------------|
| Temperature range / Gamme de température | -55°C to +125°C |
| Altitude / Altitude | -15 000ft to +50,000ft |
| Dielectric strength at sea level (main contact) / Rigidité diélectrique au niveau de la mer (contact principal) | 1800 Vrms |
| Vibrations & shocks / Vibrations & chocs | Refer to levels of applicable contactors |
| Crash safety / Sécurité des chocs | 20 G / 11ms |
| Operating current / Courant de fonctionnement | 90 A |
| Power insert material / Matériau d'insertion de puissance | Copper Alloy, Silver plated Alliage de cuivre, Plaqué argent |

LEACH INTERNATIONAL EUROPE S.A.S.

Tel: +33 3 87 97 98 97

Fax: +33 3 87 97 96 86

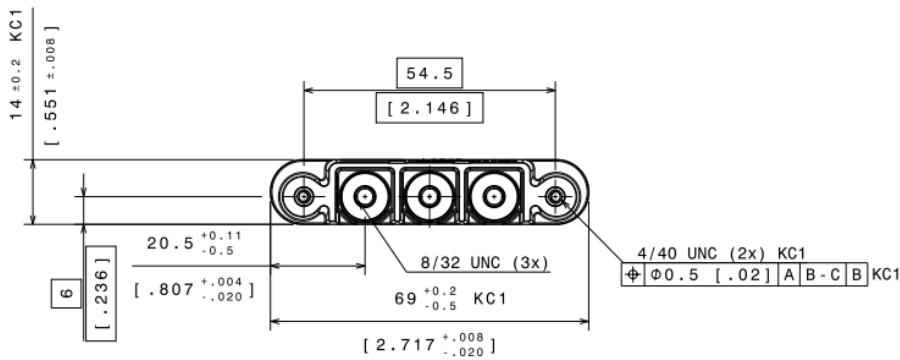
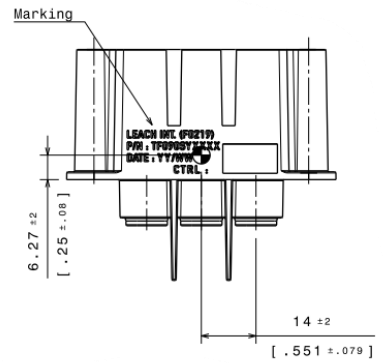
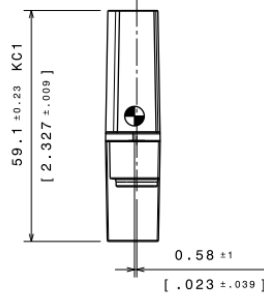
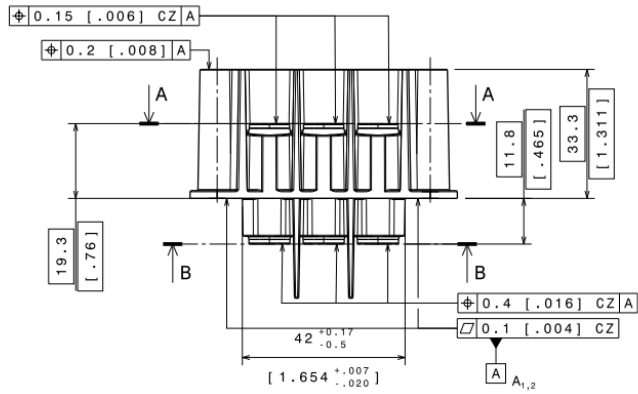
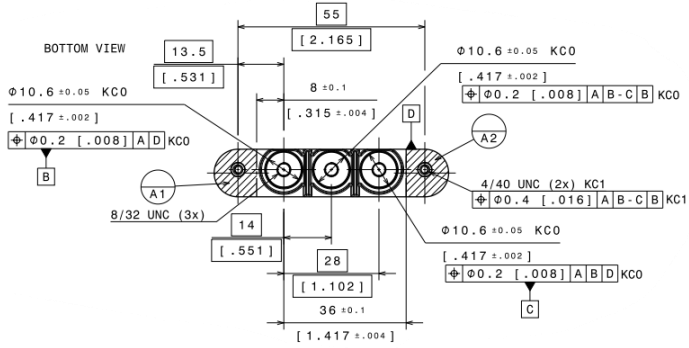
LEACH INTERNATIONAL ASIA PACIFIC

Tel: +852 2 191 3830

Fax: +852 2 389 5803

The technical information provided by Leach International Europe is to be used as a guide only, and is not meant for publication or as documentation for altering any existing specification. Dimensions are in millimeters unless otherwise specified. Rev. 03/2025.

TYPE TF090S (Weight / Masse 62.5 g max)



TYPE TF090D (Weight / Masse 74.1 g max)

